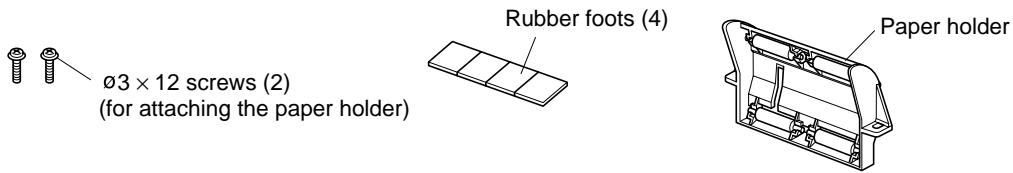


# Attaching the SP500 vertical stand kit

**1. Unpacking :** Confirm that all accessories are included.



## 2. Attachment procedures :

**Note:** Ensure that power that is supplied to the printer and that all devices connected to the printer have been switched OFF and that the power cord has been unplugged before starting the modification.

### 2-1. Attaching the rubber feet

Attach the four rubber feet in the positions shown in the figure 1.

Ensure that any soiling has been completely wiped off before attaching the rubber feet.

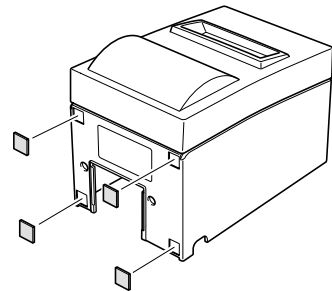


fig.1 Attaching the rubber feet

### 2-2. Attaching the paper holder

- ① Open the printer cover.
- ② Attach the paper holder to the printer. Then tighten the two M3 screws that were supplied to secure it in place.

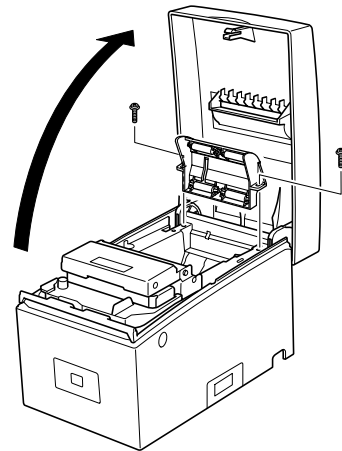


fig.2 Attaching the paper holder

### 2-3. Setting the roll paper in place

Insert the roll paper as shown in the figure 3.

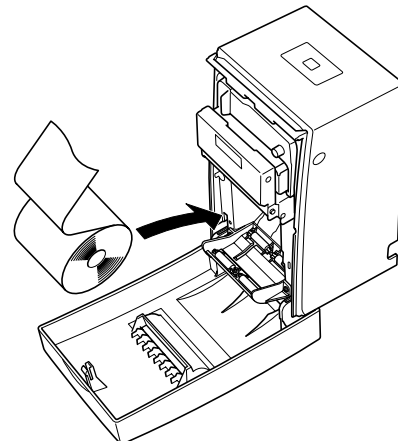


fig.3 Setting the roll paper in place